



640 Keystone Road • Greenville, PA 16125

1-800-879-6464

www.northeastind.com

## Northeast roll-off bathtub container (C&D 30 yd shown)

Components precision cut by laser

### TAILGATE

- 3"x4" Vertical structural tubing
- Formed horizontal channel
- 2 Heavy duty: greaseable hinges and 2 HD greaseable latches with enclosed safety latch system
- C&D-3 Heavy duty greaseable hinges and 3HD greaseable latches with enclosed safety latch system



### SIDES

- 10 GA Sides
- C&D-7 GA Sides
- C&D-Two 7 GA dual rear posts for tailgate support
- C&D-4"x4"x3/16" Tube top rail

### FLOOR

- 3"x4" Tube in floor under tailgate
- 3/16" Floor with 16" cross member spacing
- 3/16" Main rail, 2"x6" tubing 1 piece
- 4"x6" Nose rollers
- 8"x6" Greaseable ground rollers (front)
- 8"x10" Greaseable ground rollers (rear)
- C&D-3/16" Floor with 14" cross member spacing
- C&D-1/4" Main rail, 2"x6" tubing 1 piece

### FRONT

- Interlocked 1-1/2" hook robotically welded through a 1" hook plate
- Formed vertical uprights & horizontal push plates
- Laser cut anti-slip ladder rungs are standard



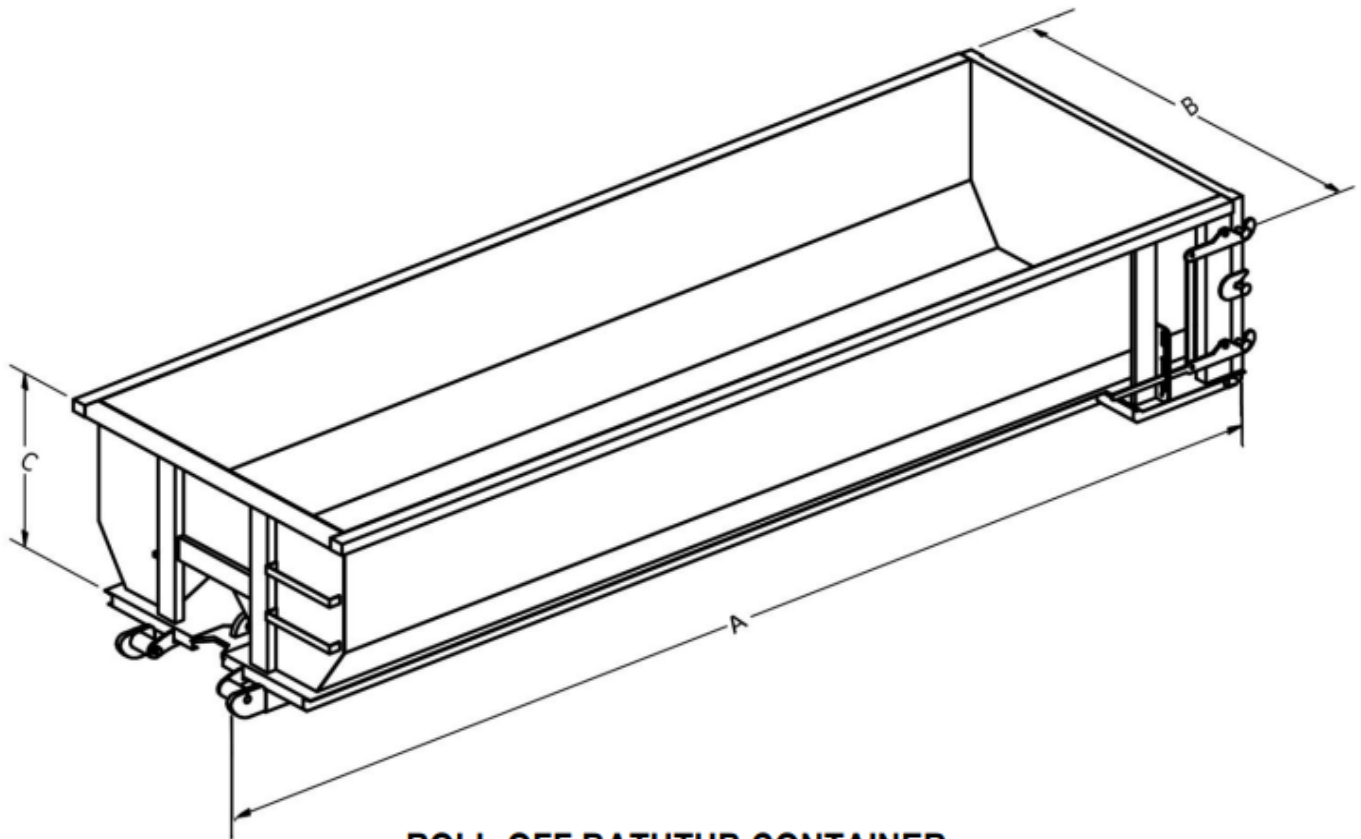
*\*NOTE: Items in red are unique to C&D model.*



### Standard Colors Available

Safety Blue | Valve Dark Blue | Vogel Drak Gray | Tower Gray | Black | Packer Beige | Container Red  
Rumpke Brown | Container Brown | Rumpke Green | Medium Green | Recycle Green | Best way Green

Unless stated otherwise in writing, container sizes indicated on sales literature, price lists, quotes, invoices, and delivery tickets are nominal sizes. The actual volume may vary from nominal sizes. All material dimensions stated are approximate.



### ROLL-OFF BATHTUB CONTAINER

CUBIC YARD CAPACITY	MODEL NUMBER	OVERALL LENGTH DIMENSION "A"	OVERALL WIDTH DIMENSION "B"	OVERALL HEIGHT DIMENSION "C"	WEIGHT C & D LISTED	QUANTITY PER LOAD
10	1245	157-1/2"	98"	55"	3047 LBS.	10
12	1248	157-1/2"	98"	58"	3122 LBS.	10
15	1265	157-1/2"	98"	75"	3400 LBS.	10
10	1435	181-1/2"	98"	45"	3050 LBS.	10
12	1445	181-1/2"	98"	55"	3485 LBS.	10
15	1448	181-1/2"	98"	58"	3570 LBS.	10
20	2245	277-1/2"	98"	55"	4970 LBS.	7
30	2265	277-1/2"	98"	75"	5535 LBS.	7
40	2285	277-1/2"	98"	95"	6310 LBS.	4

